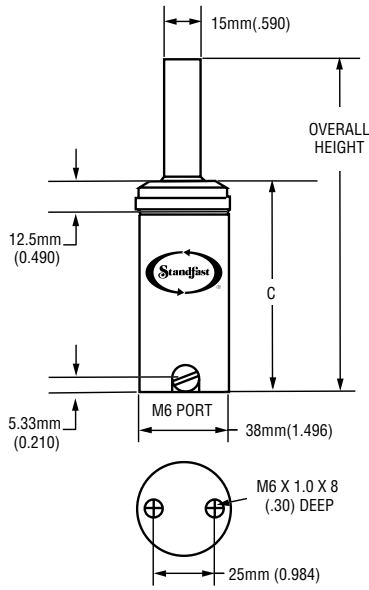


# CH250-TB SERIES

## CH250 TAPPED BASE STYLE

Specify "TB" when ordering



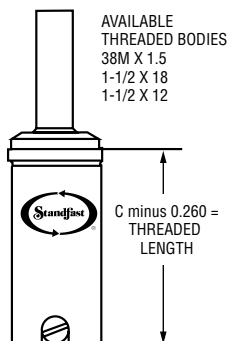
## CH250-TB STUD MOUNT STYLE

Specify "TB-STUD" when ordering



## CH250-TB THREADED BODY STYLE

Specify "TB and Thread Size" when ordering



The CH250 may be hosed into a system using our Micro-Line miniature hose assemblies and fittings. To adjust pressure in the CH250-TB, please use a CAM6 Charging Adapter and a DTM6 Discharge Tool. We recommend that all cylinders be backed-up during operation.

## CH250 STROKE CHART

STROKE LENGTH		MAX.ALLOW. STROKE		C		OVERALL LENGTH		WEIGHT
MM	INCHES	MM	INCHES	MM +/- .5	INS +/- .02	MM +/- .5	INS +/- .02	IN LBS.
12.5	0.492	9.5	0.374	61.5	2.421	75.0	2.953	0.94
19.0	0.748	16.0	0.630	68.0	2.677	88.0	3.465	1.02
25.0	0.984	22.0	0.866	74.0	2.913	100.0	3.937	1.09
37.5	1.476	34.5	1.358	86.5	3.406	125.0	4.921	1.25
50.0	1.969	47.0	1.850	99.0	3.898	150.0	5.906	1.40
62.5	2.461	59.5	2.343	111.5	4.390	175.0	6.890	1.56
75.0	2.953	72.0	2.835	124.0	4.882	200.0	7.874	1.71
80.0	3.150	77.0	3.032	129.0	5.078	210.0	8.268	1.77
87.5	3.445	84.5	3.327	136.5	5.374	225.0	8.858	1.87
100.0	3.937	97.0	3.819	149.0	5.866	250.0	9.843	2.02
112.5	4.429	109.5	4.311	161.5	6.358	275.0	10.827	2.18
125.0	4.921	122.0	4.803	174.0	6.850	300.0	11.811	2.33

Recommended tolerance on machined pocket in the die is 40.0/42.0 (1.575/1.653) for maximum CH250 performance.

## CH250 FORCE CHART based on 2,000 psi/138 Bar

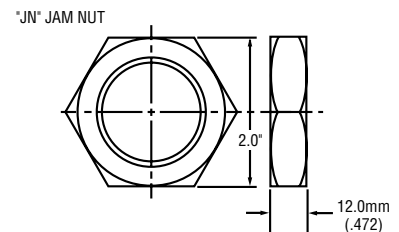
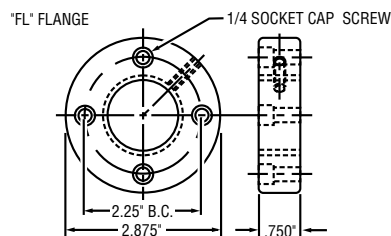
Initial contact pressure for CH250 is 546 lbs..

STROKE	TRAVEL												
	12.5	19.0	25.0	37.5	50.0	62.5	75.0	80.0	87.5	100.0	112.5	125	
12.5	0.49	726											
19.0	0.75	657	735										
25.0	0.98	628	681	739									
37.5	1.48	599	631	663	743								
50.0	1.97	585	608	630	683	746							
62.5	2.46	577	595	612	651	696	747						
75.0	2.95	572	586	600	631	666	705	748					
80.0	3.15	570	583	596	625	657	692	731	748				
87.5	3.45	568	580	592	618	646	677	711	726	749			
100.0	3.94	565	576	586	608	632	657	685	697	716	749		
112.5	4.43	563	572	581	600	621	643	667	677	692	720	750	
125.0	4.92	561	570	577	595	613	632	652	661	674	698	723	750

Formula to calculate charge pressure for lower initial contact pressure is: FORCE REQUIRED x 3.663 (ex. 325 x 3.663 = 1190 psi charge in cylinder).

PLEASE NOTE: A max. charge pressure of 2175 PSI/150 Bar is available upon request. Initial contact force at 2175 PSI/150 Bar will be 596 lbs (265 daN).

## THREADED BODY STYLE ACCESSORIES



ORDERING CODE: CH250 x STROKE LENGTH—MOUNT STYLE—CHARGE PRESSURE

NOTE: TO PREVENT POTENTIAL NITROGEN CYLINDER DAMAGE FROM UNCONTROLLED ACCELERATION, WE RECOMMEND PRE-LOADING THE CYLINDERS.

Note: English dimensions in black / Metric dimensions in blue