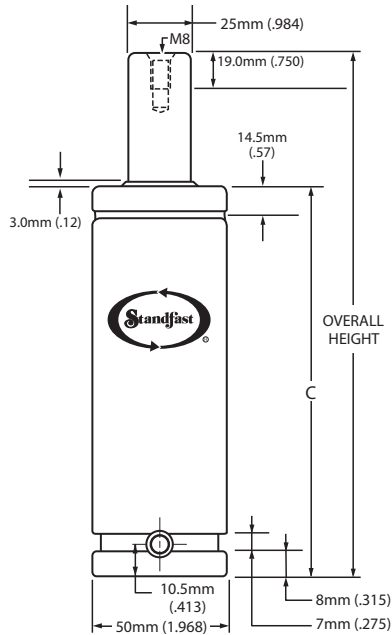




CH750 DROP-IN STYLE

Specify "STD" when ordering



Our CH750 meets ISO standards for both the cylinder and all related mount styles.

Our CH750 is available with either a 7/16-20 port or a G-1/8 port per ISO standards. A 7/16-20 port will be provided unless the G-1/8 port is specified by our customer at time of order entry.

To adjust pressure on the CH750 with a 7/16-20 port, please use a 7/16-20 Charging Adapter and a 7/16-20 Discharge Tool.

To adjust pressure on the CH750 with a G-1/8 port, please use a G-1/8 Charging Adapter and a G-1/8 Discharge Tool.

We recommend all cylinders be backed-up during operation.

CH750 STROKE CHART

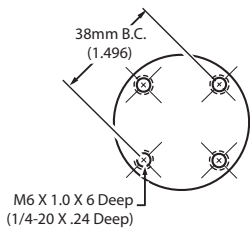
STROKE LENGTH		MAX.ALLOW. STROKE		C		OVERALL LENGTH		WEIGHT
MM	INCHES	MM	INCHES	MM +/- .5	INS +/- .02	MM +/- .5	INS +/- .02	IN LBS.
12.5	0.492	9.5	0.374	107.0	4.216	120.0	4.724	3.05
25.0	0.984	22.0	0.866	119.5	4.708	145.0	5.709	3.32
37.5	1.476	34.5	1.358	132.0	5.200	170.0	6.693	3.59
50.0	1.969	47.0	1.850	144.5	5.692	195.0	7.677	3.87
62.5	2.461	59.5	2.343	157.0	6.184	220.0	8.661	4.14
75.0	2.953	72.0	2.835	169.5	6.676	245.0	9.646	4.42
80.0	3.150	77.0	3.031	174.5	6.870	255.0	10.039	4.54
87.5	3.445	84.5	3.327	182.0	7.168	270.0	10.630	4.69
100.0	3.937	97.0	3.819	194.5	7.661	295.0	11.614	4.97
112.5	4.429	109.5	4.311	207.0	8.153	320.0	12.598	5.24
125.0	4.921	122.0	4.803	219.5	8.645	345.0	13.583	5.51
137.5	5.413	134.5	5.295	232.0	9.137	370.0	14.567	5.79
150.0	5.906	147.0	5.787	244.5	9.629	395.0	15.551	6.06
160.0	6.299	157.0	6.181	254.5	10.020	415.0	16.339	6.30
162.5	6.398	159.5	6.280	257.0	10.121	420.0	16.535	6.34
175.0	6.890	173.0	6.811	269.5	10.613	445.0	17.520	6.61
187.5	7.382	184.5	7.264	282.0	11.105	470.0	18.504	6.89
200.0	7.874	197.0	7.756	294.5	11.598	495.0	19.488	7.16
225.0	8.858	222.0	8.740	319.5	12.579	545.0	21.457	7.73
250.0	9.843	247.0	9.724	344.5	13.563	595.0	23.425	8.28
275.0	10.827	272.0	10.709	369.5	14.547	645.0	25.394	8.83
300.0	11.811	297.0	11.693	394.5	15.531	695.0	27.362	9.38

Recommended Tolerance on Machined Pocket in the die is 52.0/54.0 (2.047"/2.125") for maximum CH750 & CS750 performance.

TAPPED BASE MOUNT STYLES

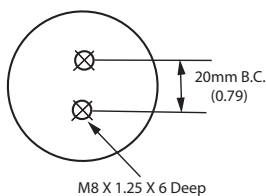
4 HOLE TAPPED BASE

To order: Specify "TB" for English ("MTB" for Metric)



2 HOLE TAPPED BASE

To order: Specify "MTB2"



SELF-CONTAINED ORDERING CODE: CH750 x STROKE LENGTH — MOUNT STYLE — CHARGE PRESSURE
 HOSED SYSTEM ORDERING CODE: CHP750 x STROKE LENGTH — MOUNT STYLE — UNCHARGED

CH750 FORCE CHART based on 2,000 psi

Initial contact pressure for the CH750 & CS750 is 1509 lbs.

CH750 SERIES

STROKE		TRAVEL																						
MM	INCHES	12.5	25.0	37.5	50.0	62.5	75.0	80.0	87.5	100.0	112.5	125.0	137.5	150.0	160.0	162.5	175.0	187.5	200.0	225.0	250.0	275.0	300.0	
12.5	0.49	1764																						
25.0	0.98	1691	1910																					
37.5	1.48	1651	1812	2007																				
50.0	1.97	1626	1753	1901	2076																			
62.5	2.46	1609	1713	1832	1969	2127																		
75.0	2.95	1596	1685	1784	1896	2023	2167																	
80.0	3.15	1592	1676	1769	1873	1990	2123	2181																
87.5	3.45	1587	1664	1749	1843	1948	2066	2117	2199															
100.0	3.94	1579	1648	1722	1804	1893	1992	2035	2102	2225														
112.5	4.43	1573	1634	1701	1772	1851	1936	1972	2029	2133	2247													
125.0	4.92	1568	1624	1683	1747	1817	1891	1923	1973	2061	2158	2265												
137.5	5.41	1564	1615	1669	1727	1789	1855	1884	1927	2005	2089	2181	2281											
150.0	5.91	1560	1607	1657	1710	1766	1826	1851	1890	1959	2033	2113	2200	2294										
160.0	6.30	1558	1602	1648	1698	1750	1806	1829	1865	1928	1996	2069	2147	2231	2304									
162.5	6.40	1557	1601	1646	1695	1746	1801	1824	1859	1921	1987	2059	2135	2217	2288	2306								
175.0	6.89	1555	1595	1637	1682	1730	1780	1801	1833	1889	1949	2013	2081	2154	2216	2232	2316							
187.5	7.38	1552	1590	1630	1671	1715	1762	1781	1810	1862	1916	1974	2036	2101	2157	2171	2246	2326						
200.0	7.87	1550	1586	1623	1662	1703	1746	1763	1791	1838	1888	1941	1997	2057	2107	2120	2187	2258	2334					
225.0	8.86	1547	1578	1611	1646	1682	1719	1735	1759	1800	1843	1888	1935	1985	2027	2038	2093	2151	2213	2348				
250.0	9.84	1544	1573	1602	1633	1665	1698	1712	1733	1769	1807	1846	1887	1930	1966	1975	2022	2072	2124	2235	2360			
275.0	10.83	1542	1568	1595	1623	1651	1681	1694	1713	1745	1778	1813	1849	1887	1918	1926	1967	2010	2054	2150	2254	2370		
300.0	11.81	1540	1564	1588	1614	1640	1667	1678	1696	1725	1755	1786	1818	1852	1880	1887	1923	1960	1999	2082	2172	2270	2378	

Formula to calculate charge pressure for lower initial contact pressure is: FORCE REQUIRED x 1.325 (ex. 1250 x 1.325 = 1656 psi charge in cylinder).

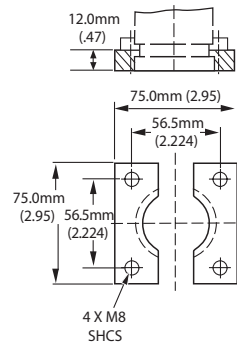
PLEASE NOTE: A max. charge pressure of 2175 PSI/150 Bar is available upon request. Initial contact force at 2175 PSI/150 Bar will be 1655lbs (736 daN).

Our lug mounts have been designed to allow our customers greater versatility and convenience. Our tongue and groove mounting system eliminates the need for welding. This allows lugs to be purchased when the order is placed, or at anytime thereafter as changes occur in mounting requirements.



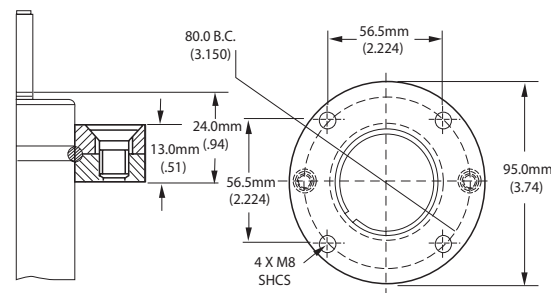
S16

To order: Specify "S16"



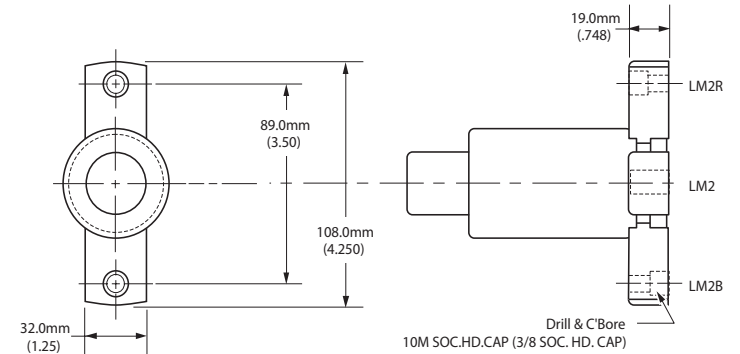
S22

To order: Specify "S22"



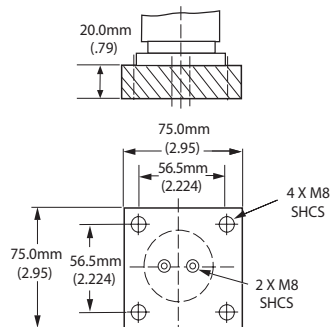
CH750 2 LUG MOUNT STYLE

To order: Specify "LM2" for English ("MLM2" for Metric)



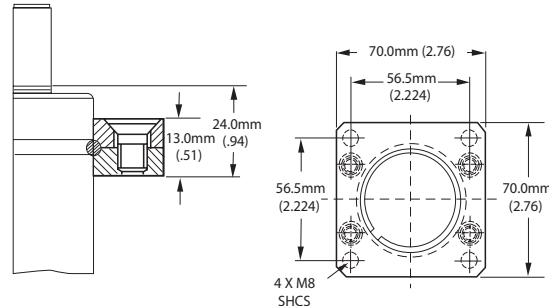
S33

To order: Specify "S33"



S78

To order: Specify "S78"



CH750 3 LUG MOUNT STYLE

To order: Specify "LM3" for English ("MLM3" for Metric)

