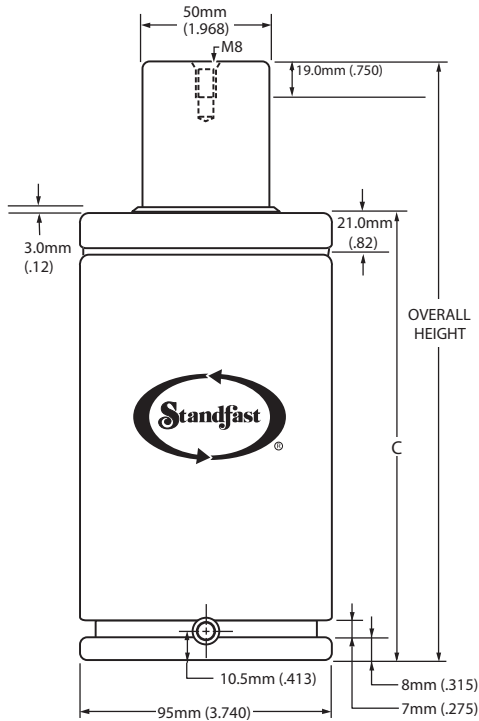




CH3000 DROP-IN STYLE
Specify "STD" when ordering



CH3000 & CS3000 SERIES

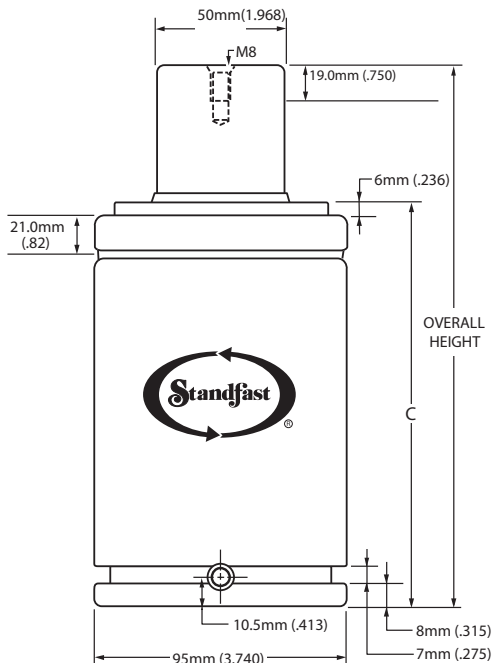


CH3000 STROKE CHART

STROKE LENGTH		MAX.ALLOW. STROKE		C		OVER ALL LENGTH		WEIGHT
MM	INCHES	MM	INCHES	MM +/- .5	INS +/- .02	MM +/- .5	INS +/- .02	IN LBS.
12.5	0.492	9.5	0.374	132.0	5.203	145.0	5.709	14.87
25.0	0.984	22.0	0.866	144.5	5.695	170.0	6.693	15.71
37.5	1.476	34.5	1.358	157.0	6.187	195.0	7.677	16.56
50.0	1.969	47.0	1.850	169.5	6.679	220.0	8.661	17.40
62.5	2.461	59.5	2.343	182.0	7.171	245.0	9.646	18.25
75.0	2.953	72.0	2.835	194.5	7.663	270.0	10.630	19.10
80.0	3.149	77.0	3.031	199.5	7.860	280.0	11.024	19.24
87.5	3.445	84.5	3.327	207.0	8.155	295.0	11.614	19.94
100.0	3.937	97.0	3.819	219.5	8.648	320.0	12.598	20.79
112.5	4.429	109.5	4.311	232.0	9.140	345.0	13.583	21.63
125.0	4.921	122.0	4.803	244.5	9.632	370.0	14.567	22.48
137.5	5.413	134.5	5.295	257.0	10.124	395.0	15.551	23.32
150.0	5.906	147.0	5.787	269.5	10.616	420.0	16.535	24.17
160.0	6.299	157.0	6.181	279.5	11.010	440.0	17.323	24.45
162.5	6.398	159.5	6.280	282.0	11.108	445.0	17.520	25.01
175.0	6.890	173.0	6.811	294.5	11.600	470.0	18.504	25.86
187.5	7.382	184.5	7.264	307.0	12.092	495.0	19.488	26.70
200.0	7.874	197.0	7.756	319.5	12.585	520.0	20.472	27.05

Recommended Tolerance on Machined Pocket in the die is 97.0/99.0 (3.819"/3.897") for maximum CH3000 & CS3000 performance.

CS3000 DROP-IN STYLE
Specify "STD" when ordering



CS3000 STROKE CHART

STROKE LENGTH		MAX.ALLOW. STROKE		C		OVER ALL LENGTH		WEIGHT
MM	INCHES	MM	INCHES	MM +/- .5	INS +/- .02	MM +/- .5	INS +/- .02	IN LBS.
12.5	0.492	9.5	0.374	113.0	4.449	127.0	5.000	11.66
25.0	0.984	22.0	0.866	125.5	4.941	152.0	5.984	12.51
37.5	1.476	34.5	1.358	138.0	5.433	177.0	6.969	13.35
50.0	1.969	47.0	1.850	150.5	5.925	202.0	7.953	14.20
62.5	2.461	59.5	2.343	163.0	6.417	227.0	8.937	15.05
75.0	2.953	72.0	2.835	175.5	6.909	252.0	9.921	15.89
80.0	3.149	77.0	3.031	180.5	7.106	262.0	10.315	16.00
87.5	3.445	84.5	3.327	188.0	7.402	277.0	10.906	16.74
100.0	3.937	97.0	3.819	200.5	7.894	302.0	11.890	17.58
112.5	4.429	109.5	4.311	213.0	8.386	327.0	12.874	18.43
125.0	4.921	122.0	4.803	225.5	8.878	352.0	13.858	19.27
137.5	5.413	134.5	5.295	238.0	9.370	377.0	14.843	20.12
150.0	5.906	147.0	5.787	250.5	9.862	402.0	15.827	20.96
162.5	6.398	159.5	6.280	263.0	10.354	427.0	16.811	21.81
175.0	6.890	173.0	6.811	275.5	10.846	452.0	17.795	22.65
187.5	7.382	184.5	7.264	288.0	11.339	477.0	18.780	23.50
200.0	7.874	197.0	7.756	300.5	11.831	502.0	19.764	24.35
212.5	8.366	209.5	8.248	313.0	12.323	527.0	20.748	25.50
225.0	8.858	222.0	8.740	325.5	12.815	552.0	21.732	26.05

SELF-CONTAINED ORDERING CODE: CH or CS3000 x STROKE LENGTH — MOUNT STYLE — CHARGE PRESSURE
HOSED SYSTEM ORDERING CODE: CHP or CSP3000 x STROKE LENGTH — MOUNT STYLE — UNCHARGED

CH3000 & CS3000 SERIES

CH3000 & CS3000 FORCE CHART based on 2,000 psi

Initial contact pressure for the CH3000 & CS3000 is 6089 lbs.

STROKE		TRAVEL																				
MM	INCHES	12.5	25.0	37.5	50.0	62.5	75.0	80.0	87.5	100.0	112.5	125.0	137.5	150.0	160.0	162.5	175.0	187.5	200.0	212.5	225.0	
12.5	0.49	8822																				
25.0	0.98	7353	9297																			
37.5	1.48	6910	7998	9494																		
50.0	1.97	6695	7447	8388	9601																	
62.5	2.46	6569	7142	7823	8649	9669																
75.0	2.95	6486	6948	7481	8102	8836	9716															
80.0	3.15	6460	6889	7379	7944	8602	9379	9731														
87.5	3.45	6427	6814	7251	7748	8317	8977	9271	9750													
100.0	3.94	6383	6716	7086	7499	7963	8487	8717	9086	9776												
112.5	4.43	6349	6642	6962	7315	7705	8140	8327	8626	9174	9797											
125.0	4.92	6322	6582	6865	7173	7510	7880	8038	8288	8741	9246	9813										
137.5	5.41	6300	6535	6787	7060	7356	7678	7815	8029	8414	8838	9306	9827									
150.0	5.91	6282	6495	6724	6969	7233	7517	7637	7825	8159	8523	8920	9357	9839								
160.0	6.30	6269	6468	6681	6907	7150	7410	7519	7690	7992	8318	8672	9058	9480	9847							
162.5	6.40	6266	6462	6671	6893	7131	7386	7493	7659	7954	8272	8617	8992	9401	9755	9848						
175.0	6.89	6253	6434	6626	6829	7046	7276	7373	7522	7786	8068	8372	8700	9054	9359	9438	9857					
187.5	7.38	6241	6410	6587	6775	6973	7184	7271	7407	7645	7899	8170	8461	8773	9040	9109	9471	9864				
200.0	7.87	6231	6388	6554	6727	6911	7104	7185	7309	7526	7757	8001	8262	8540	8777	8838	9157	9501	9871			
212.5	8.37	6223	6370	6524	6686	6857	7036	7110	7225	7424	7635	7858	8094	8345	8557	8612	8897	9201	9527	9876		
225.0	8.86	6215	6353	6498	6650	6809	6976	7045	7151	7335	7529	7734	7950	8178	8371	8420	8677	8950	9240	9550	9881	

Our CH3000 meets ISO standards for both the cylinder and all related mounts.

Our CH3000 is available with either a 7/16-20 port or a G-1/8 port per ISO standards. A 7/16-20 port will be provided unless the G-1/8 port is specified by our customer at the time of order entry.

To adjust pressure on the CH/CS3000 with a 7/16-20 port, please use a 7/16-20 Charging Adapter and a 7/16-20 Discharge Tool.

To adjust pressure on the CH3000 with a G-1/8 port, please use a G-1/8 Charging Adapter and a G-1/8 Discharge Tool.

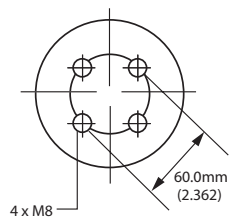
We recommend all cylinders be backed-up during operation.

Formula to calculate charge pressure for lower initial contact pressure is: FORCE REQUIRED x .329 (ex. 5000 x .329 = 1645 psi charge in cylinder).

PLEASE NOTE: A max. charge pressure of 2175 PSI/150 Bar is available upon request. Initial contact force at 2175 PSI/150 Bar will be 6620 lbs (2945 daN).

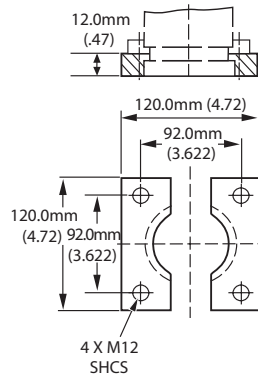
TAPPED BASE MOUNT STYLES

To order: Specify "MTB2"



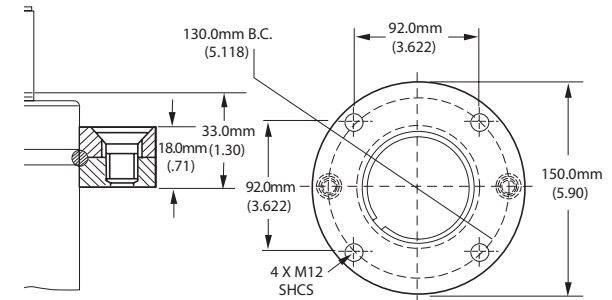
S16

To order: Specify "S16"

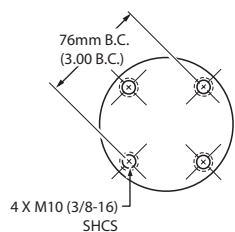


S22

To order: Specify "S22"

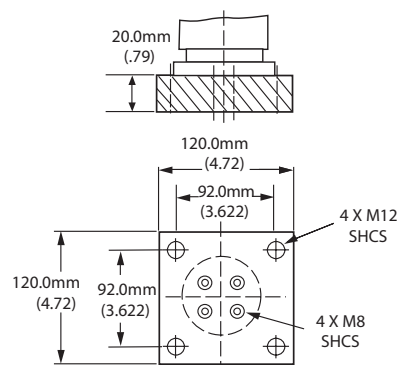


To order: Specify "TB" for English or "MTB" for Metric



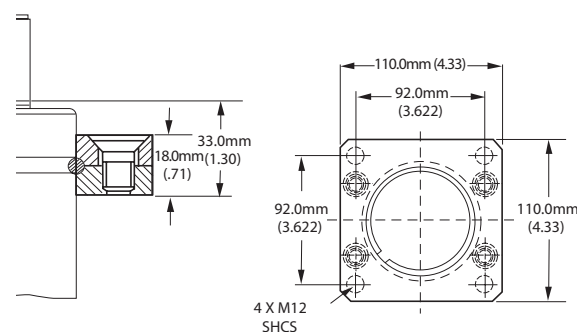
S33

To order: Specify "S33"



S78

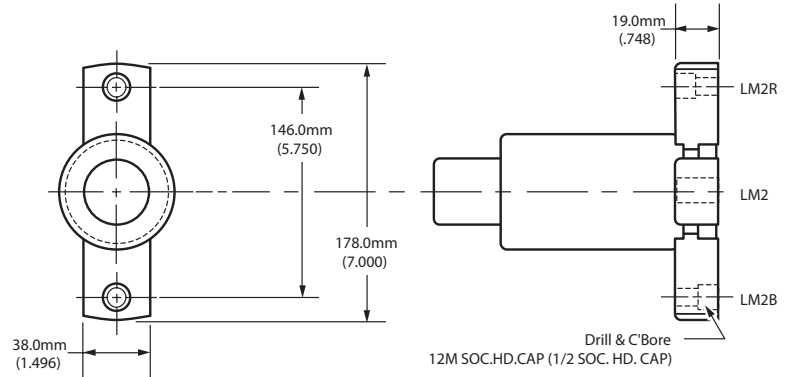
To order: Specify "S78"



CH3000 & CS3000 MOUNT STYLES

CH3000 & CS3000 2 LUG MOUNT STYLE

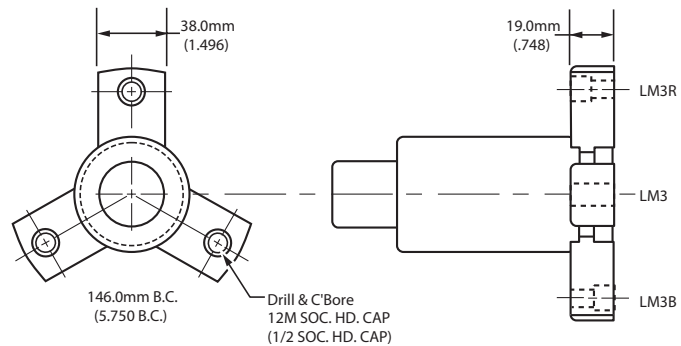
Specify "LM2" for English ("MLM2" for Metric)



Our lug mounts have been designed to allow our customers greater versatility and convenience. Our tongue and groove mounting system eliminates the need for welding. This allows lugs to be purchased when the order is placed, or at any time thereafter as changes occur in mounting requirements.

CH3000 & CS3000 3 LUG MOUNT STYLE

Specify "LM3" for English ("MLM3" for Metric)



CH3000 & CS3000 4 LUG MOUNT STYLE

Specify "LM4" for English ("MLM4" for Metric)

