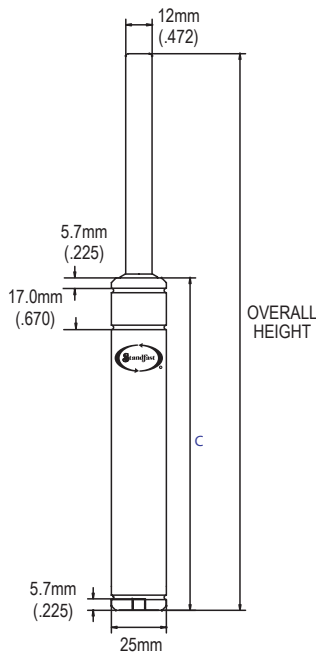


SD125 SERIES

SD125 DROP-IN STYLE

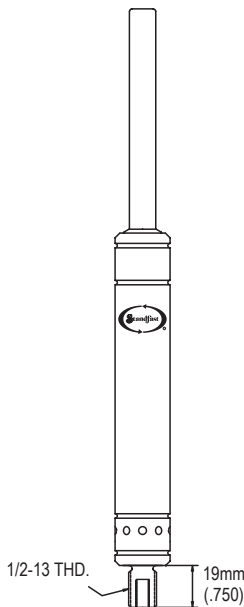
Specify "STD" when ordering



CHARGING PORT LOCATED IN BOTTOM OF CYLINDER IS M6 X 1.0

SD125 STUD MOUNT STYLE

Specify "STUD" when ordering



CHARGING PORT LOCATED IN STUD IS M6 X 1.0

Our SD125 is the only 25.0mm body diameter cylinder available with steel double bearing construction. This superior design feature offers unprecedented rod support during operation.

Our SD125 is the first 25.0mm diameter nitrogen cylinder to be offered with a STUD mount style option **AND** is suitable for hoses applications.

SD125 STUD Mount cylinders may be hoses into a system using our Mirco-Line miniature hose assemblies and fittings.

We recommend that all SD125 cylinders be supported over at least 1/3 of the can length.

To adjust pressure on the SD125 cylinder, please use a CA125R Charging Adapter and a DTM6R Discharge Tool.

SD125 cylinders are NOT REPAIRABLE. We recommend that all cylinders be backed-up during operation.

SD125 STROKE CHART Standard Mount

STROKE LENGTH		MAX.ALLOW. STROKE		C		OVERALL LENGTH	
MM	INCHES	MM	INCHES	MM +/- .5	INS +/- .02	MM +/- .5	INS +/- .02
7.0	0.276	5.5	0.217	58.1	2.288	67.0	2.638
11.5	0.453	10.0	0.394	62.6	2.465	76.0	2.993
15.0	0.591	13.5	0.531	66.1	2.603	83.0	3.268
25.0	0.984	23.5	0.925	76.1	2.996	103.0	4.056
38.0	1.496	36.5	1.437	89.1	3.508	129.0	5.079
50.0	1.969	48.5	1.909	101.1	3.981	153.0	6.024
65.0	2.559	63.5	2.500	116.1	4.571	183.0	7.205
80.0	3.150	78.5	3.091	131.1	5.162	213.0	8.386
100.0	3.937	98.5	3.878	151.1	5.949	253.0	9.961
125.0	4.921	123.5	4.862	176.1	6.933	303.0	11.930
150.0	5.906	148.5	5.846	201.1	7.918	353.0	13.898
160.0	6.299	158.5	6.240	211.1	8.311	373.0	14.685
175.0	6.890	173.5	6.831	226.1	8.902	403.0	15.867
200.0	7.874	198.5	7.815	251.1	9.886	453.0	17.835

Recommended tolerance on machined pocket in the die is 26.0/27.0 mm (1.024/1.063) for maximum SD125 performance.

SD125 FORCE CHART

COLOR CODE	CHARGE PRESSURE	INITIAL CONTACT FORCE	FORCE AT FULL STROKE
YELLOW	2600 PSI	450 LBS	642 LBS
RED	2030 PSI	350 LBS	501 LBS
BLUE	1450 PSI	250 LBS	358 LBS
GREEN	850 PSI	150 LBS	210 LBS

Formula to calculate charge pressure for ANY contact pressure is: FORCE REQUIRED x 5.765 = PSI

ORDERING CODE: SD125 x STROKE LENGTH—MOUNT STYLE—CHARGE PRESSURE

SD125 MOUNTS AND ACCESSORIES

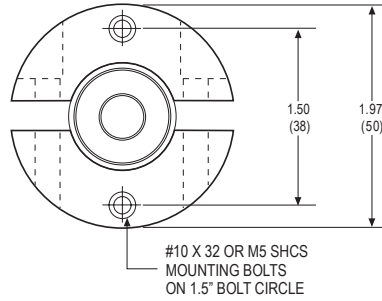
SD125 MOUNTS AND ACCESSORIES

The CH125 Locking Collar and Flange Mount may be used with both our CH125 Series and SD125 Series gas cylinders.

CH125 FLANGE MOUNT

The CH125 Flange Mount may be positioned at any of the three groove locations on the O.D. of the cylinder. Each groove location has been illustrated below.

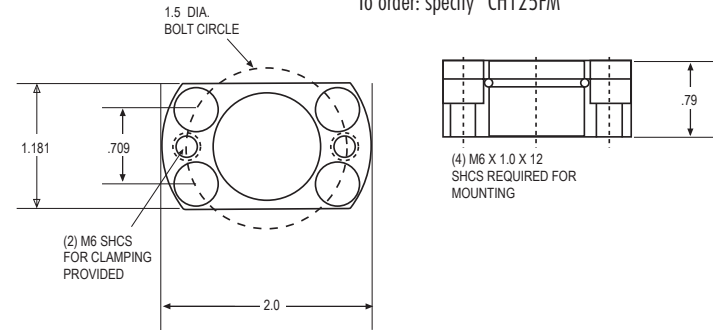
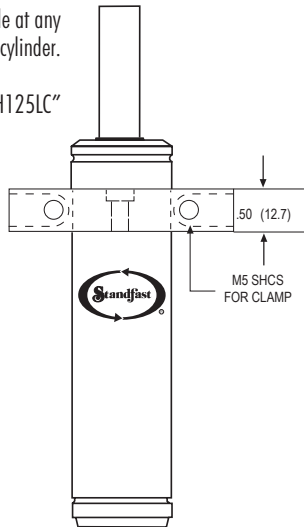
To order: specify "CH125FM"



CH125 LOCKING COLLAR

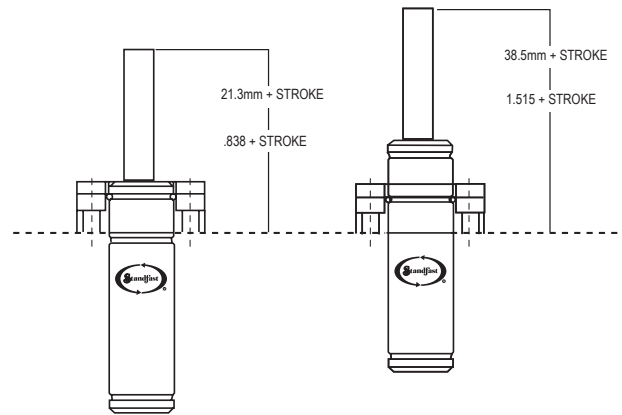
The CH125 Locking Collar is adjustable at any position on the O.D. of the cylinder.

To order: specify "CH125LC"



UPPER GROOVE LOCATION

MIDDLE GROOVE LOCATION



SD125 STUD MOUNT

Style PIPED cylinders shown here using our Micro-Line miniature hose assemblies and fittings.

