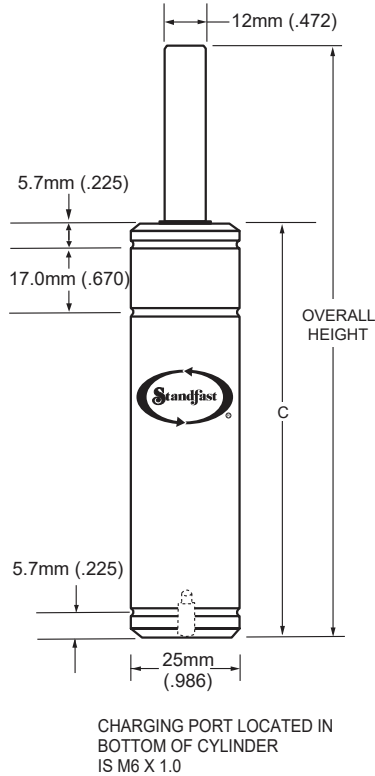


# CH 125 SERIES

## CH125 DROP-IN STYLE

Specify "STD" when ordering



CH125 cylinders are NOT REPAIRABLE.

CH125 cylinders may NOT BE HOSED INTO A SYSTEM.

To adjust pressure on the CH125 cylinder, please use a CA125R Charging Adapter and a DTM6R Discharge Tool.

We recommend that all cylinders be backed-up during operation.

## CH125 STROKE CHART Standard Mount

STROKE LENGTH		MAX.ALLOW. STROKE		C		OVERALL LENGTH	
MM	INCHES	MM	INCHES	MM +/- .5	INS +/- .02	MM +/- .5	INS +/- .02
7.0	0.276	6.5	0.256	47.8	1.880	56.0	2.205
11.5	0.453	11.0	0.433	52.2	2.057	65.0	2.559
15.0	0.591	14.5	0.571	55.8	2.195	72.0	2.835
25.0	0.984	24.5	0.964	65.8	2.589	92.0	3.622
38.0	1.496	37.5	1.476	78.8	3.101	118.0	4.646
50.0	1.969	49.5	1.949	90.8	3.573	142.0	5.591
65.0	2.559	64.5	2.539	105.8	4.164	172.0	6.772
80.0	3.150	79.5	3.130	123.8	4.872	205.0	8.071
100.0	3.937	99.5	3.917	143.8	5.660	245.0	9.646
125.0	4.921	124.5	4.901	168.8	6.644	295.0	11.614

Recommended tolerance on machined pocket in the die is 26.0/27.0 mm (1.024/1.063) for maximum CH125 performance.

## CH125 FORCE CHART

COLOR CODE	CHARGE PRESSURE	INITIAL CONTACT FORCE	FORCE AT FULL STROKE
<b>YELLOW</b>	2600 PSI	450 LBS	630 LBS
<b>RED</b>	2030 PSI	350 LBS	492 LBS
<b>BLUE</b>	1450 PSI	250 LBS	351 LBS
<b>GREEN</b>	850 PSI	150 LBS	206 LBS

Formula to calculate charge pressure for ANY contact pressure is: FORCE REQUIRED x 5.765 = PSI

ORDERING CODE: CH125 x STROKE LENGTH — MOUNT STYLE — CHARGE PRESSURE

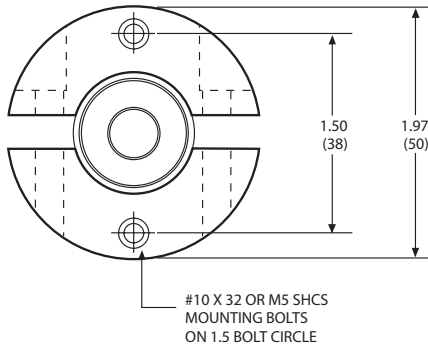
# CH125 MOUNTS AND ACCESSORIES

To adjust pressure on the CH125 cylinder, please use a CAM6 Charging Adapter and a DTCH125 Discharge Tool.

## CH125 LOCKING COLLAR

The CH125 Locking Collar is adjustable at any position on the O.D. of the cylinder.

To order: specify "CH125LC"



## CH125 FLANGE MOUNT

The CH125 Flange Mount may be positioned at any of the three groove locations on the O.D. of the cylinder.

Each groove location has been illustrated below.

To order: specify "CH125FM"

