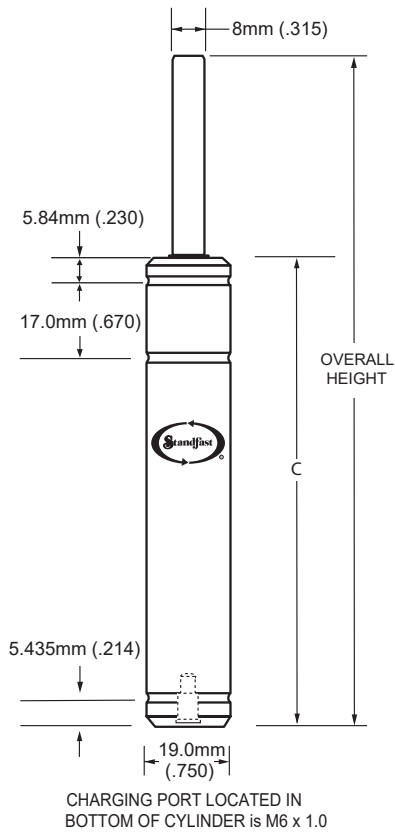


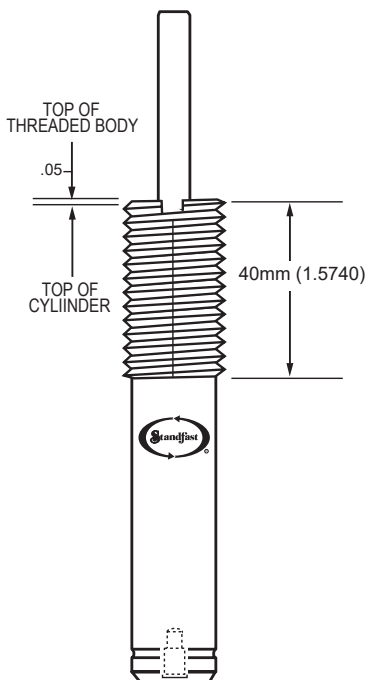
## CH119 DROP-IN STYLE

Specify "STD" when ordering



## CH119 THREADED BODY STYLE

To order: Specify "TB1" for 1"-8  
—or—"TB2" for M24 x 1.5



CH119 cylinders are NOT REPAIRABLE.

CH119 cylinders may NOT BE HOSED INTO A SYSTEM.

To adjust pressure on the CH119 cylinder, please use a CA125R Charging Adapter and a DTM6R Discharge Tool.

We recommend that all cylinders be backed-up during operation.

## CH119 STROKE CHART Standard Mount

STROKE LENGTH		MAX.ALLOW. STROKE		C		OVERALL LENGTH	
MM	INCHES	MM	INCHES	MM +/- .5	INS +/- .02	MM +/- .5	INS +/- .02
7.0	0.276	6.5	0.256	47.8	1.880	56.0	2.205
11.5	0.453	11.0	0.433	52.2	2.057	65.0	2.559
15.0	0.591	14.5	0.571	55.8	2.195	72.0	2.835
25.0	0.984	24.5	0.964	65.8	2.589	92.0	3.622
38.0	1.496	37.5	1.476	78.8	3.101	118.0	4.646
50.0	1.969	49.5	1.949	90.8	3.573	142.0	5.591
65.0	2.559	64.5	2.539	105.8	4.164	172.0	6.772
80.0	3.150	79.5	3.130	123.8	4.872	205.0	8.071
100.0	3.937	99.5	3.917	143.8	5.660	245.0	9.646
125.0	4.921	124.5	4.901	168.8	6.644	295.0	11.614

Recommended tolerance on machined pocket in the die is 20.0/21.0 mm (0.787"/0.827") for maximum CH119 performance.

## CH119 FORCE CHART

COLOR CODE	CHARGE PRESSURE	INITIAL CONTACT FORCE	FORCE AT FULL STROKE
<b>YELLOW</b>	2600 PSI	200 LBS	267 LBS
<b>RED</b>	2030 PSI	160 LBS	208 LBS
<b>BLUE</b>	1450 PSI	110 LBS	149 LBS
<b>GREEN</b>	850 PSI	65 LBS	87 LBS

Formula to calculate charge pressure for ANY contact pressure is: FORCE REQUIRED X 12.915 = PSI

ORDERING CODE: CH119 x STROKE LENGTH — MOUNT STYLE — CHARGE PRESSURE

# CH119 MOUNTS AND ACCESSORIES

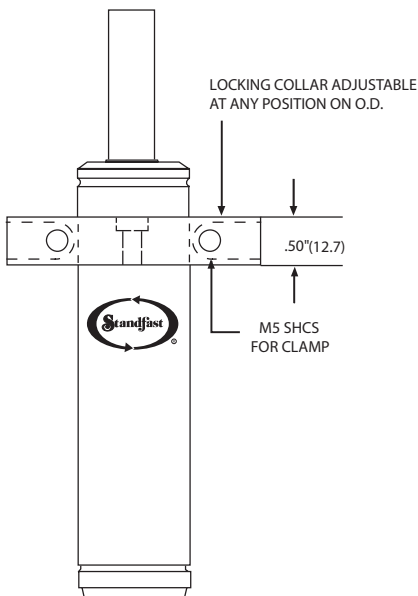
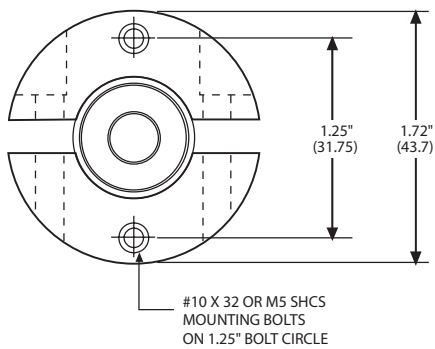
To adjust pressure on the CH119 cylinder, please use a CAM6 Charging Adapter and a DTCH125 Discharge Tool.

There is an installation wrench available to use with the threaded body style cylinder—please contact the factory for details.

Additional mount styles and accessories are pictured below.

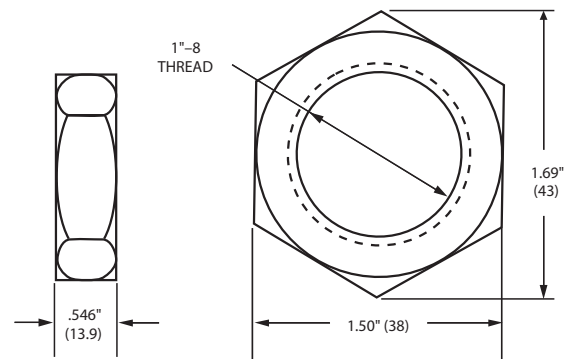
## CH119 LOCKING COLLAR

To order: Specify "CH119LC"



## CH119 JAM NUTS

To order: Specify "CH119-JM1"



To order: Specify "CH119-JM2"

