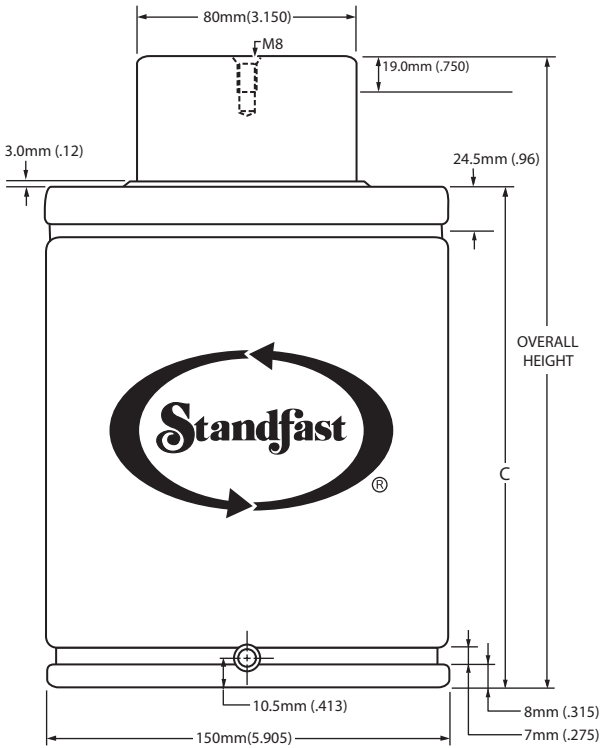




CH8000 DROP-IN STYLE
Specify "STD" when ordering



CH8000 & CS8000 SERIES



Our CH8000 meets ISO standards for both the cylinder and all related mount styles.

Our CH8000 is available with either a 7/16-20 port or a G-1/8 port per ISO standards. A 7/16-20 port will be provided unless the G-1/8 port is specified by our customer at time of order entry.

To adjust pressure on the CH/CS 8000 with the 7/16-20 port, please use a 7/16-20 Charging Adapter and 7/16-20 Discharge Tool.

To adjust pressure on the CH8000 with the G-1/8 port, please use a G-1/8 Charging Adapter and G-1/8 Discharge Tool.

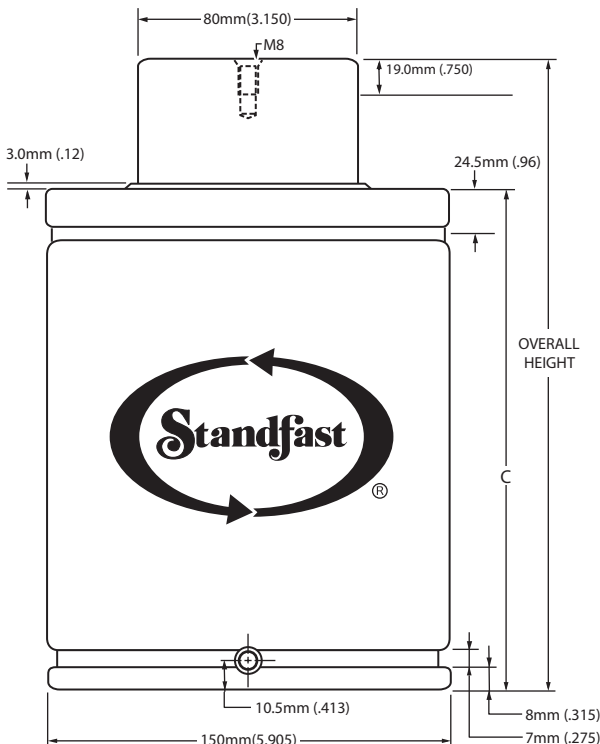
We recommend that all cylinders be backed-up during operation.

CH8000 STROKE CHART

STROKE LENGTH		MAX.ALLOW. STROKE		C		OVER ALL LENGTH		WEIGHT
MM	INCHES	MM	INCHES	MM +/- .5	INS +/- .02	MM +/- .5	INS +/- .02	IN LBS.
12.5	0.492	9.5	0.374	164.5	6.476	177.0	6.969	44.38
25.0	0.984	22.0	0.866	177.0	6.968	202.0	7.953	46.83
37.5	1.476	34.5	1.358	189.5	7.460	227.0	8.937	49.29
50.0	1.969	47.0	1.850	202.0	7.952	252.0	9.921	51.57
62.5	2.461	59.5	2.343	214.5	8.444	277.0	10.906	54.21
75.0	2.953	72.0	2.835	227.0	8.936	302.0	11.890	56.67
80.0	3.149	77.0	3.031	232.0	9.134	312.0	12.283	57.68
87.5	3.445	84.5	3.327	239.5	9.428	327.0	12.874	59.12
100.0	3.937	97.0	3.819	252.0	9.921	352.0	13.858	61.58
112.5	4.429	109.5	4.311	264.5	10.413	377.0	14.843	64.04
125.0	4.921	122.0	4.803	277.0	10.905	402.0	15.827	66.50
137.5	5.413	134.5	5.295	289.5	11.397	427.0	16.811	68.96
150.0	5.906	147.0	5.787	302.0	11.889	452.0	17.795	71.42
160.0	6.299	157.0	6.181	312.0	12.283	472.0	18.583	73.44
162.5	6.398	159.5	6.280	314.5	12.381	477.0	18.780	73.87
175.0	6.890	173.0	6.811	327.0	12.873	502.0	19.764	76.33
187.5	7.382	184.5	7.264	339.5	13.365	527.0	20.748	78.79
200.0	7.874	197.0	7.756	352.0	13.858	552.0	21.732	81.25

Recommended Tolerance on Machined Pocket in the die is 152.0/154.0 (5.98"/6.06") for maximum CH8000 & CS8000 performance.

CS8000 DROP-IN STYLE
Specify "STD" when ordering



CS8000 STROKE CHART

STROKE LENGTH		MAX.ALLOW. STROKE		C		OVER ALL LENGTH		WEIGHT
MM	INCHES	MM	INCHES	MM +/- .5	INS +/- .02	MM +/- .5	INS +/- .02	IN LBS.
12.5	0.492	9.5	0.374	114.5	4.508	127.0	5.000	42.8
25.0	0.984	22.0	0.866	127.0	5.000	152.0	5.984	45.0
37.5	1.476	34.5	1.358	139.5	5.492	177.0	6.969	47.2
50.0	1.969	47.0	1.850	152.0	5.984	202.0	7.953	49.4
62.5	2.461	59.5	2.343	164.5	6.476	227.0	8.937	51.6
75.0	2.953	72.0	2.835	177.0	6.969	252.0	9.921	53.8
80.0	3.149	77.0	3.031	182.0	7.165	262.0	10.315	56.0
87.5	3.445	84.5	3.327	189.5	7.461	277.0	10.906	57.0
100.0	3.937	97.0	3.819	202.0	7.953	302.0	11.890	60.5
112.5	4.429	109.5	4.311	214.5	8.445	327.0	12.874	63.5
125.0	4.921	122.0	4.803	227.0	8.937	352.0	13.858	65.7
137.5	5.413	134.5	5.295	239.5	9.429	377.0	14.843	67.9
150.0	5.906	147.0	5.787	252.0	9.921	402.0	15.827	70.1
162.5	6.398	159.5	6.280	264.5	10.413	427.0	16.811	72.3
175.0	6.890	173.0	6.811	277.0	10.906	452.0	17.795	74.5
187.5	7.382	184.5	7.264	289.5	11.398	477.0	18.780	76.7
200.0	7.874	197.0	7.756	302.0	11.890	502.0	19.764	78.9
212.5	8.366	209.5	8.248	314.5	12.382	527.0	20.748	81.6
225.0	8.858	222.0	8.740	327.0	12.874	552.0	21.732	83.8
237.5	9.350	234.5	9.232	339.5	13.366	577.0	22.717	86.0
250.0	9.843	247.0	9.724	352.0	13.858	602.0	23.701	88.24

SELF-CONTAINED ORDERING CODE: CH/CS8000 x STROKE LENGTH — MOUNT STYLE — CHARGE PRESSURE
HOSED SYSTEM ORDERING CODE: CHP/CSP8000 x STROKE LENGTH — MOUNT STYLE — UNCHARGED

Note: English dimensions in black / Metric dimensions in blue

CH8000 & CS8000 SERIES

CH8000 & CS8000 FORCE CHART based on 2,000 psi

Initial contact pressure for the CH8000 & CS8000 is 15,566 lbs

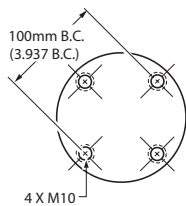
STROKE			TRAVEL																					
MM	INCHES	12.5	25.0	37.5	50.0	62.5	75.0	80.0	87.5	100.0	112.5	125.0	137.5	150.0	160.0	162.5	175.0	187.5	200.0	212.5	225.0	237.5	250.0	
12.5	0.49	21236																						
25.0	0.98	18570	22998																					
37.5	1.48	17611	20264	23857																				
50.0	1.97	17117	19001	21352	24366																			
62.5	2.46	16815	18274	20010	22110	24702																		
75.0	2.95	16612	17801	19174	20775	22668	24941																	
80.0	3.15	16549	17656	18921	20382	22088	24105	25018																
87.5	3.45	16466	17469	18603	19893	21375	23097	23865	25120															
100.0	3.94	16356	17224	18188	19266	20481	21859	22464	23436	25258														
112.5	4.43	16271	17034	17873	18799	19826	20971	21467	22257	23711	25368													
125.0	4.92	16202	16884	17626	18436	19324	20303	20722	21386	22590	23939	25459												
137.5	5.41	16145	16761	17427	18147	18929	19782	20145	20715	21741	22873	24130	25534											
150.0	5.91	16098	16660	17263	17911	18609	19364	19684	20183	21075	22049	23117	24294	25597										
160.0	6.30	16065	16590	17151	17751	18394	19085	19377	19831	20637	21512	22464	23504	24645	25641									
162.5	6.40	16058	16574	17125	17714	18345	19022	19307	19751	20539	21391	22318	23328	24435	25398	25651								
175.0	6.89	16023	16501	17009	17548	18123	18736	18994	19393	20098	20855	21672	22555	23514	24342	24558	25698							
187.5	7.38	15994	16438	16908	17406	17934	18494	18729	19092	19728	20409	21139	21923	22767	23490	23678	24666	25739						
200.0	7.87	15967	16383	16821	17283	17771	18287	18502	18834	19415	20033	20692	21395	22148	22789	22955	23824	24761	25775					
212.5	8.37	15944	16335	16744	17175	17629	18107	18306	18612	19146	19711	20311	20948	21627	22202	22351	23125	23955	24847	25808				
225.0	8.86	15924	16292	16677	17080	17504	17949	18134	18418	18912	19432	19983	20565	21183	21704	21838	22536	23279	24073	24924	25836			
237.5	9.36	15905	16253	16616	16996	17394	17810	17982	18247	18706	19189	19697	20233	20799	21275	21397	22031	22704	23419	24180	24993	25862		
250.0	9.84	15889	16219	16562	16921	17295	17686	17848	18096	18525	18974	19446	19942	20464	20902	21015	21595	22209	22858	23547	24278	25056	25886	

Formula to calculate charge pressure for lower initial contact pressure is: FORCE REQUIRED x .128 (ex. 12,000 x .128 = 1536 psi charge in cylinder).

PLEASE NOTE: A max. charge pressure of 2175 PSI/150 Bar is available upon request. Initial contact force at 2175 PSI/150 Bar will be 16,946 lbs (7538 daN).

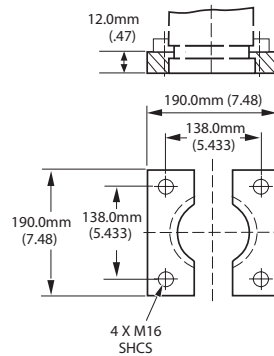
TAPPED BASE MOUNT STYLES

To order: Specify "MTB2"



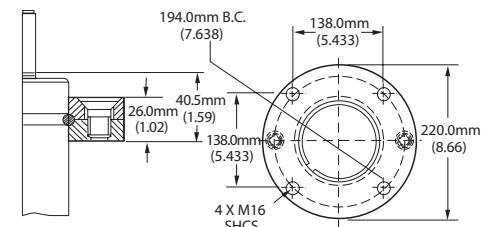
S16

To order: Specify "S16"

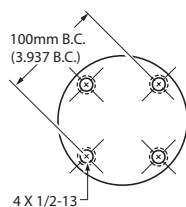


S22

To order: Specify "S22"

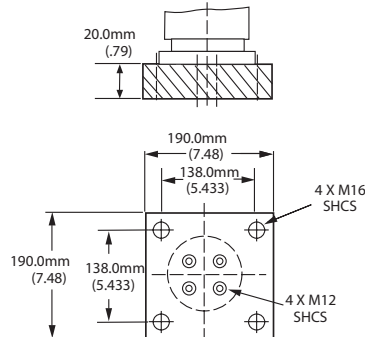


To order: Specify "TB"



S33

To order: Specify "S33"



S78

To order: Specify "S78"

