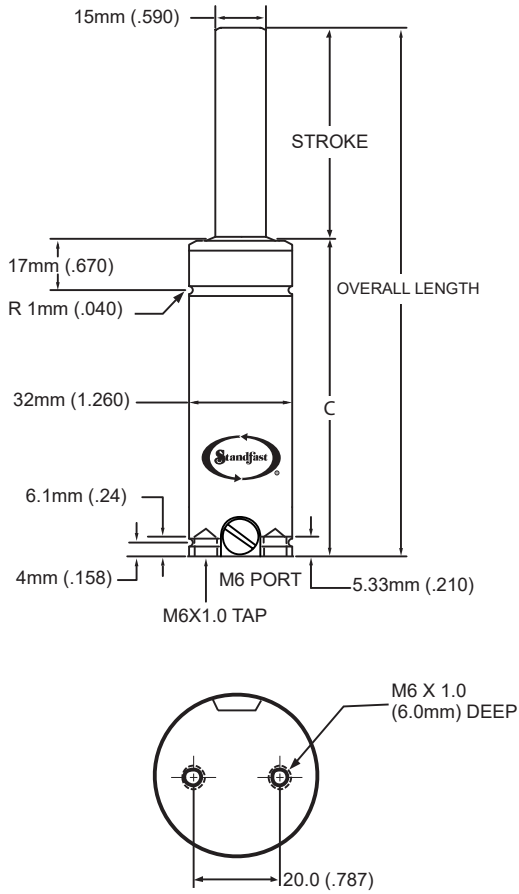


CH132 TAPPED BASE STYLE

Specify "TB" when ordering



Our CH132 is the first cylinder to be offered by Standfast Industries with a 32.0mm (1.260") body diameter featuring all steel bearing construction. This superior design feature offers unprecedented rod support during operation.

Our CH132 is the first 32.0mm diameter nitrogen cylinder to be offered with a STUD Mount style Option.

CH132 cylinders may be hosed into a system using our MICRO-LINE miniature hose assemblies and fittings.

To adjust pressure on CH132 cylinders, please use a CAM6A Charging Adapter and a DTM6R Discharge Tool.

We recommend that all cylinders be backed-up during operation.

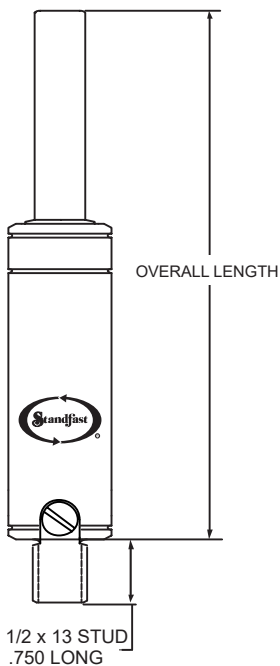
CH132 STROKE CHART

STROKE LENGTH		MAX.ALLOW. STROKE		C		OVERALL LENGTH		WEIGHT
MM	INCHES	MM	INCHES	MM +/- .5	INS +/- .02	MM +/- .5	INS +/- .02	LBS.
7.0	0.276	5.5	0.216	48.76	1.920	56.0	2.204	0.60
10.0	0.394	8.5	0.334	51.76	2.038	62.0	2.440	0.62
13.0	0.500	11.2	0.440	54.46	2.144	67.4	2.653	0.64
15.0	0.591	13.0	0.511	56.76	2.235	72.0	2.834	0.68
25.0	0.984	23.0	0.905	66.76	2.628	92.0	3.622	0.80
38.0	1.496	36.0	1.417	79.76	3.140	118.0	4.645	1.00
50.0	1.969	48.0	1.889	91.76	3.613	142.0	5.590	1.20
63.0	2.500	61.5	2.421	108.25	4.262	171.8	6.762	1.40
80.0	3.150	78.0	3.070	124.75	4.912	204.8	8.061	1.60
100.0	3.937	98.0	3.858	144.75	5.699	244.8	9.636	1.80
125.0	4.921	123.0	4.842	169.75	6.683	294.8	11.605	2.00

Recommended tolerance on machined pocket in the die is 34.0/36.0mm (1.338"/1.417") for maximum CH132 performance.

CH132 STUD MOUNT STYLE

Specify "STUD" when ordering



CH132 FORCE CHART based on 2600 psi/180 Bar

Initial contact force is 711 lbs. (316 daN).

	STROKE	TRAVEL											
		7.0	10.0	12.7	15.0	25.0	38.0	50.0	63.5	80.0	100.0	125.0	
MM	INCHES	0.276	0.394	0.500	0.591	0.984	1.496	1.969	2.500	3.150	3.937	4.921	
7.0	0.276	1096											
10.0	0.394	945	1100										
13.0	0.500	884	986	1102									
15.0	0.591	852	932	1017	1103								
25.0	0.984	790	829	868	905	1106							
38.0	1.496	761	785	807	828	930	1107						
50.0	1.969	748	766	782	796	866	977	1108					
63.0	2.500	739	751	763	773	822	894	973	1081				
80.0	3.150	733	743	752	760	797	851	907	980	1087			
100.0	3.937	729	737	744	750	779	819	861	913	986	1091		
125.0	4.921	725	731	737	742	764	796	827	865	917	988	1095	

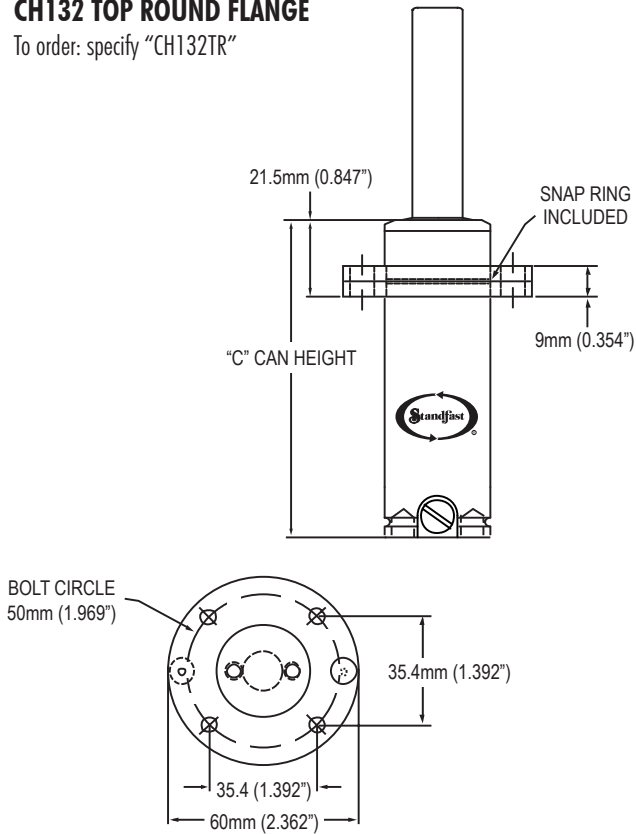
Formula to calculate charge pressure for lower initial contact pressure is: FORCE REQUIRED x 3.663 (ex. 500 x 3.663 = 1832 psi charge in cylinder).

ORDERING CODE: CH132 X STROKE LENGTH - MOUNT STYLE - CHARGE PRESSURE

CH132 MOUNT STYLES

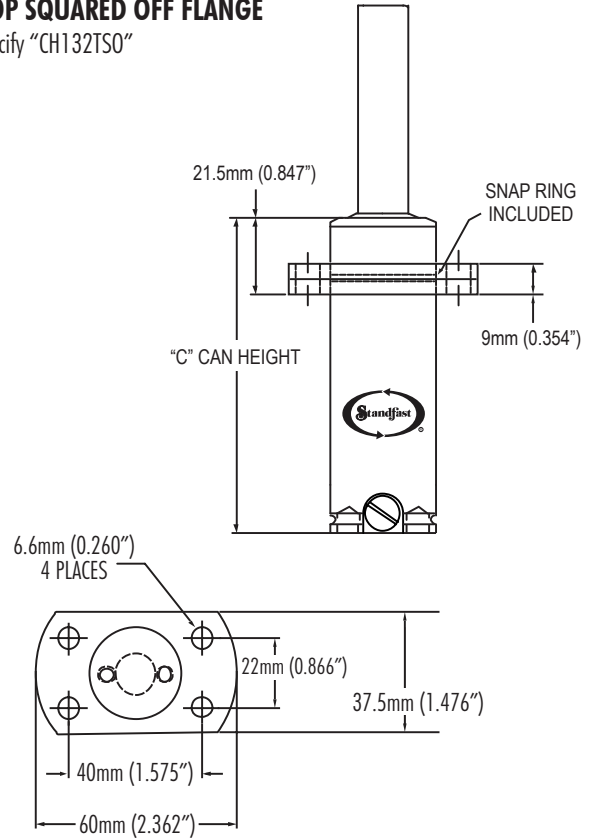
CH132 TOP ROUND FLANGE

To order: specify "CH132TR"



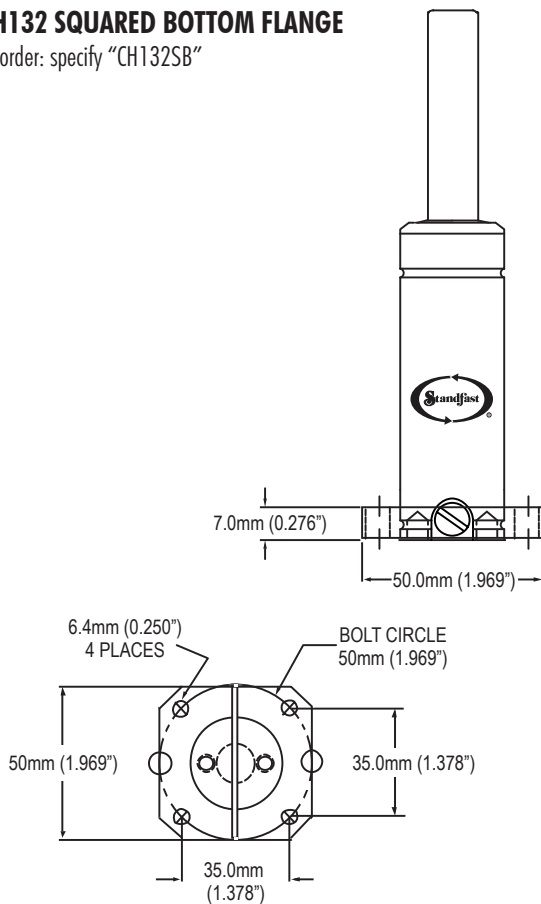
CH132 TOP SQUARED OFF FLANGE

To order: specify "CH132TSO"



CH132 SQUARED BOTTOM FLANGE

To order: specify "CH132SB"



CH132 LOCKING COLLAR

To order: specify "CH132LC"

