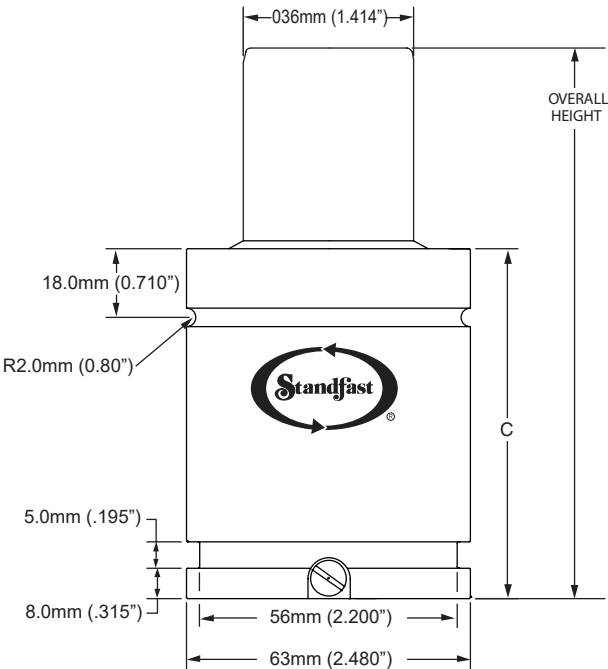


HP1600 SERIES

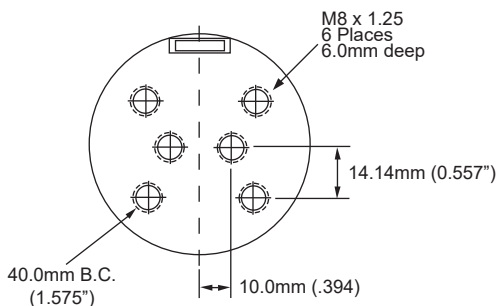
HP1600 STANDARD MOUNT

Specify "STD" when ordering



HP1600 TAPPED BASE MOUNT STYLE

Specify "TB" when ordering



Our HP600 is the first 63mm (2.480") cylinder to be offered by Standfast Industries. As an addition to our High Pressure series it offers a low profile with high forces yet still contains the steel rod bearing support that is available in all of our cylinders

Our HP1600 can be used in hoses applications using our Mirco-Line hose and fittings only.

To adjust pressure on HP1600 cylinders, please use a CAM6R Charging Adapter and a DTM6R Discharge Tool.

We recommend that all cylinders be backed-up during operation.

HP1600 STROKE CHART

STROKE LENGTH		MAX.ALLOW. STROKE		C		OVERALL LENGTH		WEIGHT
MM	INCHES	MM	INCHES	MM +/- .5	INS +/- .02	MM +/- .5	INS +/- .02	LBS.
10.0	0.394	8.0	0.315	54.0	2.126	64.0	2.520	2.34
13.0	0.492	10.5	0.413	55.5	2.185	69.0	2.717	2.41
15.0	0.591	13.0	0.512	58.0	2.283	74.0	2.913	2.48
16.0	0.630	14.0	0.551	59.0	2.322	76.0	2.992	2.51
19.0	0.748	17.0	0.669	62.0	2.441	82.0	3.228	2.60
25.0	0.984	23.0	0.906	68.0	2.677	94.0	3.700	2.78
32.0	1.260	30.0	1.181	75.0	2.953	108.0	4.252	2.98
38.0	1.476	35.5	1.398	81.0	3.189	119.0	4.685	3.12
50.0	1.969	48.0	1.890	93.0	3.661	144.0	5.670	3.50
63.0	2.461	60.5	2.382	105.5	4.154	169.0	6.654	3.86
75.0	2.953	73.0	2.874	118.0	4.646	194.0	7.638	4.22
80.0	3.150	78.0	3.071	123.0	4.843	204.0	8.031	4.37
100.0	3.937	98.0	3.858	143.0	5.630	244.0	9.606	4.95
125.0	4.921	123.0	4.843	168.0	6.614	294.0	11.575	5.67

Recommended tolerance on machined pocket in the die is 65.0/67.0mm (1519 OaN) for maximum HP1600 performance.

Please Note: Contact Force @2175 PSI (ISO Bar) : 3415 lbs. (1519 OaN)

Pressurised @ full stroke (Depending on stroke length: 46 +/- 5%)

Contact Force (lbs.) desired x 0.637 = PSI charge pressure

ORDERING CODE: HP1600 X STROKE LENGTH - MOUNT STYLE - CHARGE PRESSURE

NOTE: ADD PREFIX "P" IF HOSED APPLICATION (EX PHP1600).

NOTE: UNCONTROLLED ACCELERATION WILL CAUSE CYLINDER DAMAGE.

HP1600 SERIES FORCE CHART

HP1600 FORCE CHART based on 2,175 PSI

Stroke		Initial Contact Force		Force at Full Stroke	
MM	INS.	LBS	DaN	LBS	DaN
10.0	0.394	3415	1519	4826	2146
13.0	0.492			4850	2157
15.0	0.591			4874	2168
16.0	0.630			4898	2178
19.0	0.748			4923	2189
25.0	0.984			4948	2200
32.0	1.260			4973	2212
38.0	1.476			4997	2222
50.0	1.969			5022	2233
63.0	2.461			5048	2245
75.0	2.953			5073	2256
80.0	3.150			5098	2267
100.0	3.937			5124	2279
125.0	4.921			5149	2290

Formula to calculate charge pressure for ANY contact pressure is: FORCE REQUIRED X 0.637 = PSI

Note: English dimensions in black / Metric dimensions in blue