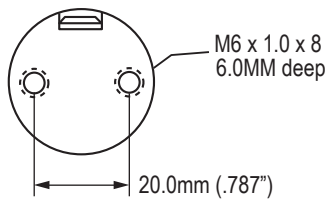
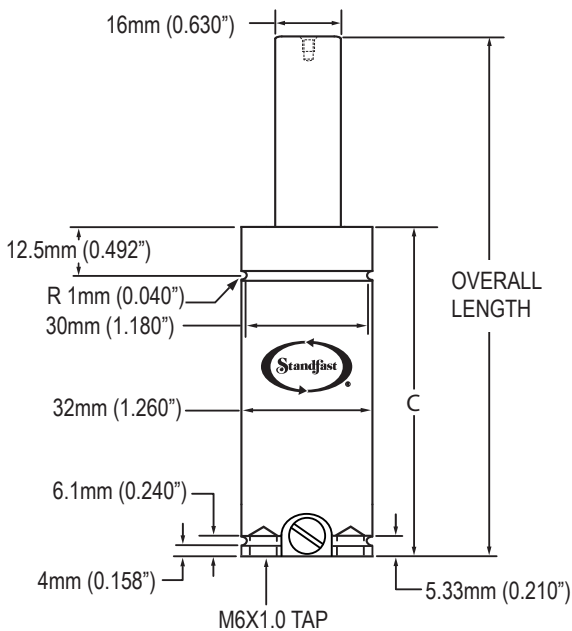


HP400 SERIES

HP400 TAPPED BASE STYLE

Specify "TB" when ordering



Our HP400 offers greater force in a smaller envelope than previous 32mm (1.260") cylinders yet still contains the steel rod bearing support that is available in all of our cylinders.

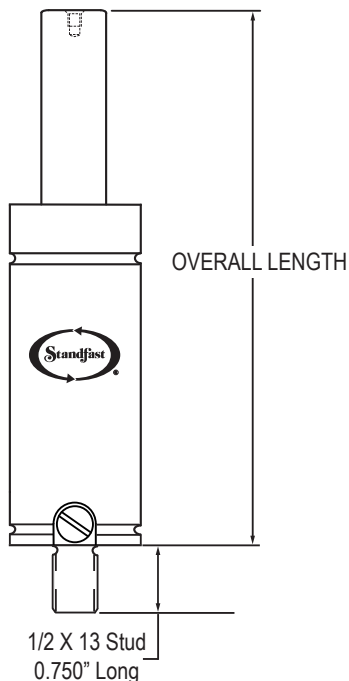
Our HP400 can be used in hoses applications using our Micro-Line hose fittings only.

To adjust pressure on HP400 cylinders, please use a CAM6R Charging adapter and a DTM6R Discharge Tool.

We recommend that all cylinders be backed-up during operation.

HP400 STUD MOUNT STYLE

Specify "STUD" when ordering



HP400 STROKE CHART

STROKE LENGTH		MAX.ALLOW. STROKE		C		OVERALL LENGTH		WEIGHT
MM	INCHES	MM	INS.	MM +/- .5	INS +/- .02	MM +/- .5	INS +/- .02	LBS.
10.0	0.394	8.5	0.334	40.0	1.544	50.0	1.937	0.22
12.5	0.492	11.0	0.432	42.5	1.621	54.0	2.113	0.25
15.0	0.591	13.5	0.531	45.0	1.741	60.0	2.331	0.28
19.0	0.748	17.5	0.688	49.0	1.898	68.0	2.650	0.33
25.0	0.984	23.5	0.924	55.0	2.156	80.0	3.140	0.40
32.0	1.260	30.5	1.200	62.0	2.410	94.0	3.660	0.48
37.5	1.476	36.0	1.416	67.5	2.626	104.0	4.102	0.55
50.0	1.969	48.5	1.909	80.0	3.119	130.0	5.087	0.70
62.5	2.461	61.0	2.401	92.5	3.611	155.0	6.071	0.85
75.0	2.953	73.5	2.893	105.0	4.103	180.0	7.055	0.90
80.0	3.150	78.5	3.090	110.0	4.300	190.0	7.450	0.96
100.0	3.937	98.5	3.877	130.0	5.087	230.0	9.024	1.20
125.0	4.921	123.5	4.861	155.0	6.071	280.0	10.990	1.35

Recommended tolerance on Machined Pocket in the die is 34.0/36.0mm (1.338"/1.417") for maximum HP400 performance.

ORDERING CODE: HP400 X STROKE LENGTH - MOUNT STYLE - CHARGE PRESSURE

HP400 FORCE CHART based on 2600 PSI
Initial contact pressure for the HP400 is 810 lbs.

**HP400 SERIES
MOUNTS STYLES**

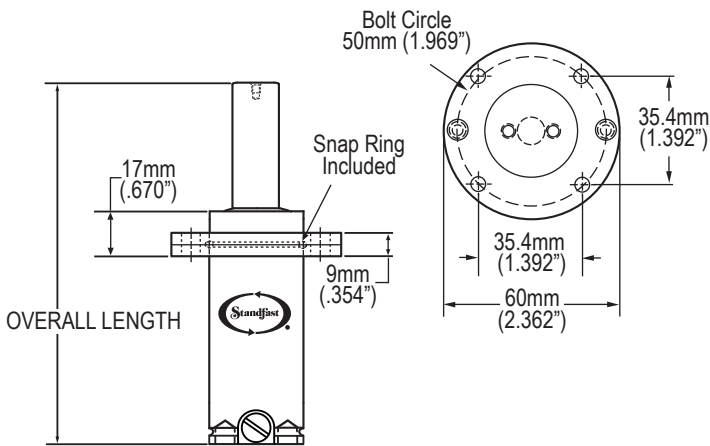
STROKE		TRAVEL													
	MM	10.0	12.5	15.0	19.0	25.0	32.0	37.5	50.0	62.5	75.0	80.0	100.0	125.0	
MM	INCHES	0.394	0.492	0.591	0.748	0.984	1.260	1.476	1.969	2.461	2.953	3.150	3.937	4.921	
10.0	0.394	1042													
12.5	0.492	1042	1059												
15.0	0.591	998	1059	1129											
19.0	0.748	954	999	1047	1136										
25.0	0.984	917	948	982	1040	1143									
32.0	1.260	892	916	940	982	1052	1148								
37.5	1.476	880	899	919	953	1009	1084	1150							
50.0	1.969	862	876	890	914	952	1001	1044	1154						
62.5	2.461	851	862	873	892	921	957	988	1066	1157					
75.0	2.953	844	853	862	877	901	930	954	1013	1084	1158				
80.0	3.150	842	850	859	873	895	921	943	998	1059	1129	1159			
100.0	3.937	836	842	849	860	877	897	914	954	999	1047	1068	1160		
125.0	4.921	831	836	841	850	863	878	891	922	955	990	1005	1069	1162	

Formula to calculate charge pressure for ANY contact pressure is: FORCE REQUIRED x 3.208 = PSI (ex. 500 x 3.663 = 1832 psi charge in cylinder).

Note: English dimensions in black / Metric dimensions in blue

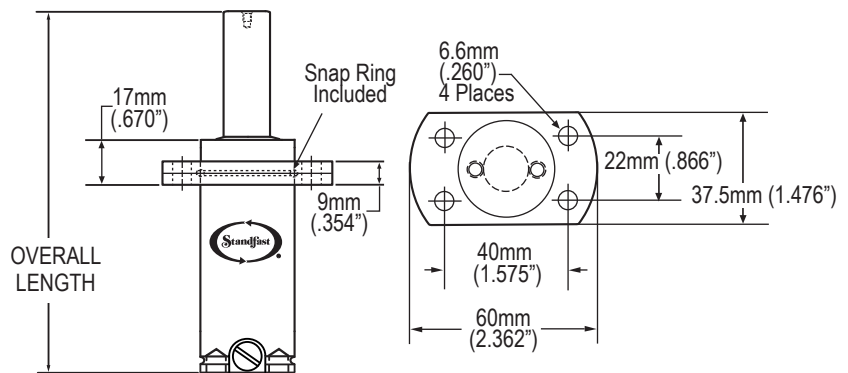
TOP ROUND FLANGE

To order: specify "CH132TR"



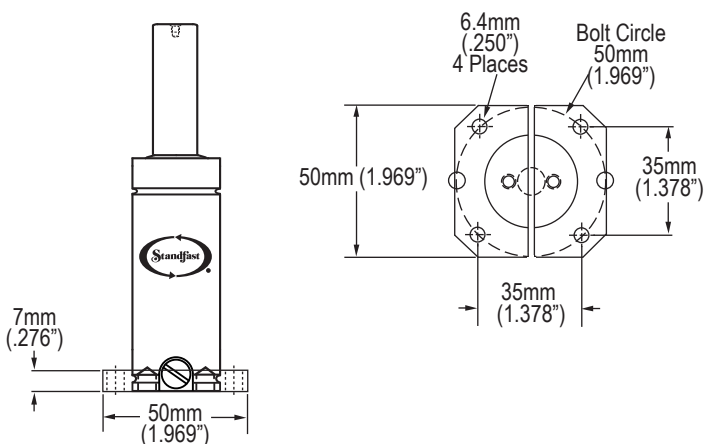
TOP SQUARED OFF FLANGE

To order: specify "CH132TSO"



SQUARED BOTTOM FLANGE

To order: specify "CH132SB"



LOCKING COLLAR

To order: specify "CH132LC"

