

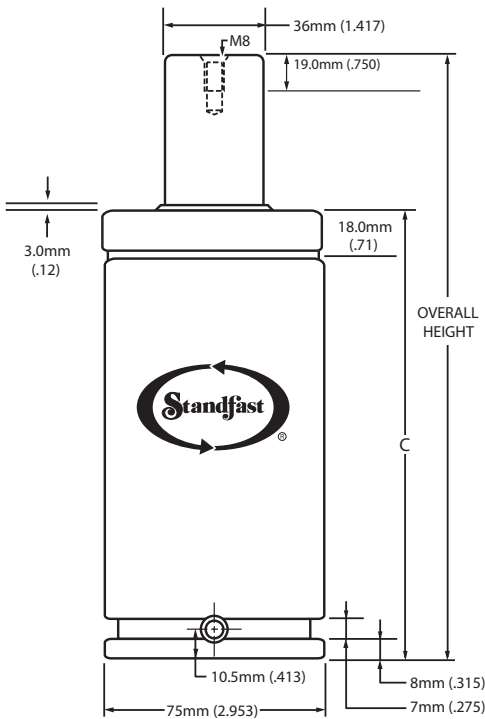


CH1500 & CS1500 SERIES



CH1500 DROP-IN STYLE

Specify "STD" when ordering



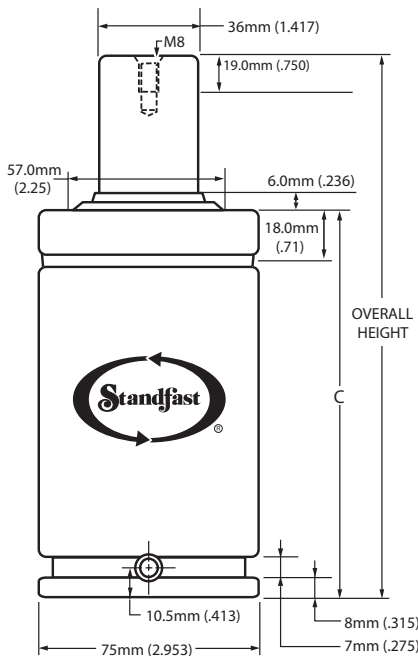
CH1500 STROKE CHART

STROKE LENGTH		MAX.ALLOW. STROKE		C		OVER ALL LENGTH		WEIGHT
MM	INCHES	MM	INCHES	MM +/- .5	INS +/- .02	MM +/- .5	INS +/- .02	IN LBS.
12.5	0.492	9.5	0.374	121.5	4.793	135.0	5.315	7.96
25.0	0.984	22.0	0.866	134.0	5.285	160.0	6.299	8.50
37.5	1.476	34.5	1.358	146.5	5.777	185.0	7.283	9.03
50.0	1.969	47.0	1.850	159.0	6.269	210.0	8.268	9.57
62.5	2.461	59.5	2.343	171.5	6.762	235.0	9.252	10.11
75.0	2.953	72.0	2.835	184.0	7.254	260.0	10.236	10.64
80.0	3.149	77.0	3.031	189.0	7.451	270.0	10.630	10.86
87.5	3.445	84.5	3.327	196.5	7.746	285.0	11.220	11.18
100.0	3.937	97.0	3.819	209.0	8.238	310.0	12.205	11.71
112.5	4.429	109.5	4.311	221.5	8.730	335.0	13.189	12.25
125.0	4.921	122.0	4.803	234.0	9.222	360.0	14.173	12.78
137.5	5.413	134.5	5.295	246.5	9.714	385.0	15.157	13.32
150.0	5.906	147.0	5.787	259.0	10.206	410.0	16.142	13.86
160.0	6.299	157.0	6.181	269.0	10.600	430.0	16.929	14.30
162.5	6.398	159.5	6.280	271.5	10.699	435.0	17.126	14.39
175.0	6.890	173.0	6.811	284.0	11.191	460.0	18.110	14.93
187.5	7.382	184.5	7.264	296.5	11.683	485.0	19.094	15.46
200.0	7.874	197.0	7.756	309.0	12.175	510.0	20.079	16.00

Recommended Tolerance on Machined Pocket in the die is 77.0/79.0 (3.03"/3.11") for maximum CH 1500 & CS 1500 performance.

CS1500 DROP-IN STYLE

Specify "STD" when ordering



CS1500 STROKE CHART

STROKE LENGTH		MAX.ALLOW. STROKE		C		OVER ALL LENGTH		WEIGHT
MM	INCHES	MM	INCHES	MM +/- .5	INS +/- .02	MM +/- .5	INS +/- .02	IN LBS.
12.5	0.492	9.5	0.374	109.0	4.301	127.0	5.000	6.87
25.0	0.984	22.0	0.866	121.5	4.793	152.0	5.984	7.40
37.5	1.476	34.5	1.358	134.0	5.285	177.0	6.969	7.94
50.0	1.969	47.0	1.850	146.5	5.777	202.0	7.953	8.48
62.5	2.461	59.5	2.343	159.0	6.270	227.0	8.937	9.01
75.0	2.953	72.0	2.835	171.5	6.762	252.0	9.921	9.55
80.0	3.149	77.0	3.031	176.5	6.959	262.0	10.315	9.85
87.5	3.445	84.5	3.327	184.0	7.254	277.0	10.906	10.08
100.0	3.937	97.0	3.819	196.5	7.746	302.0	11.890	10.62
112.5	4.429	109.5	4.311	209.0	8.238	327.0	12.874	11.15
125.0	4.921	122.0	4.803	221.5	8.730	352.0	13.858	11.69
137.5	5.413	134.5	5.295	234.0	9.222	377.0	14.843	12.23
150.0	5.906	147.0	5.787	246.5	9.714	402.0	15.827	12.76
162.5	6.398	159.5	6.280	259.0	10.207	427.0	16.811	13.30
175.0	6.890	172.0	6.772	271.5	10.699	452.0	17.795	13.83
187.5	7.382	184.5	7.264	284.0	11.191	477.0	18.780	14.37
200.0	7.874	197.0	7.756	296.5	11.683	502.0	19.764	14.91
212.5	8.366	209.5	8.248	309.0	12.175	527.0	20.748	15.45

SELF-CONTAINED ORDERING CODE: CH or CS1500 x STROKE LENGTH — MOUNT STYLE — CHARGE PRESSURE
 HOSED SYSTEM ORDERING CODE: CHP or CSP1500 x STROKE LENGTH — MOUNT STYLE — UNCHARGED

Note: English dimensions in black / Metric dimensions in blue

CH1500 & CS1500 SERIES

CH1500 & CS1500 FORCE CHART based on 2,000 psi

Initial contact pressure for the CH1500 & CS1500 is 3141 lbs.

STROKE		TRAVEL																			
MM	INCHES	12.5	25.0	37.5	50.0	62.5	75.0	80.0	87.5	100.0	112.5	125.0	137.5	150.0	160.0	162.5	175.0	187.5	200.0	212.5	
12.5	0.49	4286																			
25.0	0.98	3680	4443																		
37.5	1.48	3494	3935	4505																	
50.0	1.97	3403	3713	4084	4538																
62.5	2.46	3349	3587	3862	4182	4559															
75.0	2.95	3314	3507	3724	3970	4250	4573														
80.0	3.15	3303	3483	3683	3908	4161	4451	4578													
87.5	3.45	3289	3451	3631	3830	4052	4301	4410	4584												
100.0	3.94	3270	3410	3563	3730	3914	4116	4203	4341	4592											
112.5	4.43	3256	3379	3512	3656	3812	3982	4055	4168	4372	4598										
125.0	4.92	3244	3354	3472	3598	3734	3880	3942	4039	4211	4398	4603									
137.5	5.41	3235	3334	3440	3552	3672	3801	3855	3938	4087	4246	4419	4607								
150.0	5.91	3227	3317	3413	3514	3622	3736	3784	3858	3988	4128	4277	4437	4610							
160.0	6.30	3221	3306	3395	3489	3588	3693	3737	3805	3923	4049	4184	4327	4481	4613						
162.5	6.40	3220	3303	3391	3483	3581	3684	3726	3793	3909	4032	4163	4303	4453	4550	4613					
175.0	6.89	3214	3291	3372	3457	3546	3639	3678	3738	3843	3953	4070	4194	4326	4437	4466	4616				
187.5	7.38	3210	3281	3356	3434	3516	3602	3637	3692	3787	3887	3992	4103	4221	4320	4345	4477	4618			
200.0	7.87	3205	3272	3342	3414	3490	3570	3602	3653	3740	3831	3927	4027	4133	4222	4245	4363	4488	4620		
212.5	8.37	3201	3264	3329	3397	3468	3541	3572	3618	3699	3783	3870	3962	4059	4139	4160	4267	4379	4497	4621	

Our CH1500 meets ISO standards for both the cylinder and all related mounts.

Our CH1500 is available with either a 7/16-20 port or a G-1/8 port per ISO standards. A 7/16-20 port will be provided unless the G-1/8 port is specified by our customer at the time of order entry.

To adjust pressure on the CH/CS1500 with a 7/16-20 port, please use a 7/16-20 Charging Adapter and a 7/16-20 Discharge Tool

To adjust pressure on the CH1500 with a G-1/8 port, please use a G-1/8 Charging Adapter and a G-1/8 Discharge Tool.

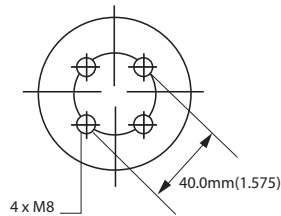
We recommend that all cylinders be backed-up during operation.

Formula to calculate charge pressure for lower initial contact pressure is: FORCE REQUIRED x .637 (ex. 1500 x .637 = 956 psi charge in cylinder).

PLEASE NOTE: A max. charge pressure of 2175 PSI/150 Bar is available upon request. Initial contact force at 2175 PSI/150 bar will be 3432 lbs (1527 daN).

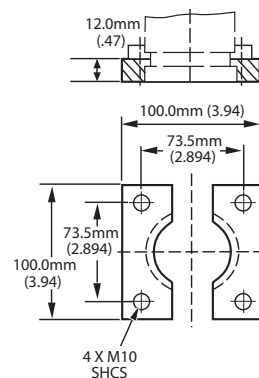
TAPPED BASE MOUNT STYLES

To order: Specify "MTB2"



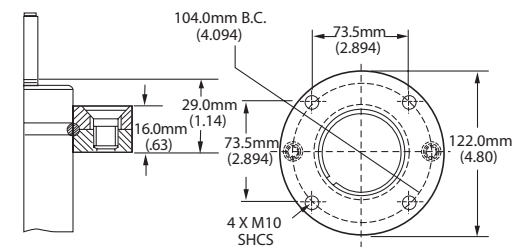
S16

To order: Specify "S16"

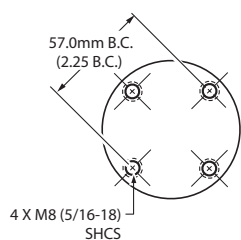


S22

To order: Specify "S22"

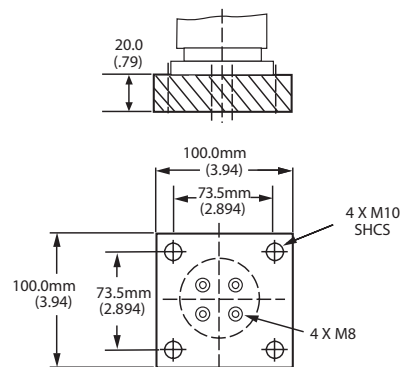


To order: Specify "TB" for English or "MTB" for Metric



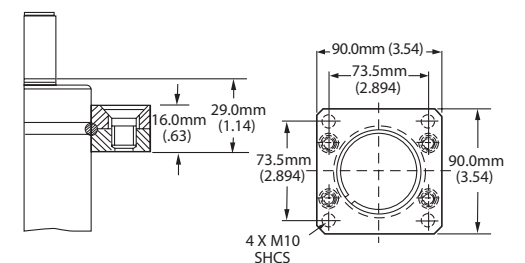
S33

To order: Specify "S33"



S78

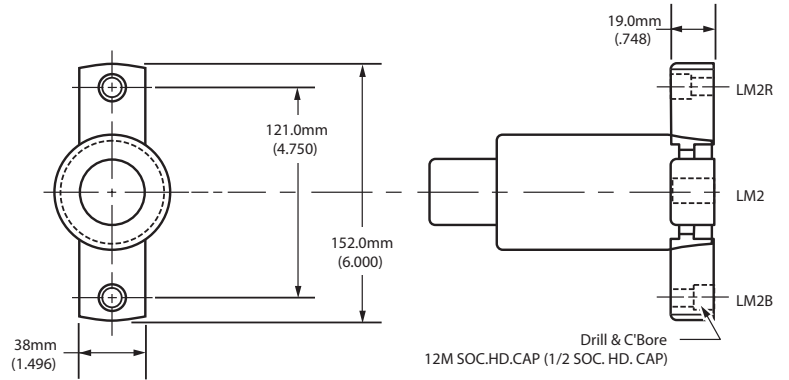
To order: Specify "S78"



CH1500 & CS1500 MOUNT STYLES

CH1500 & CS1500 2 LUG MOUNT STYLE

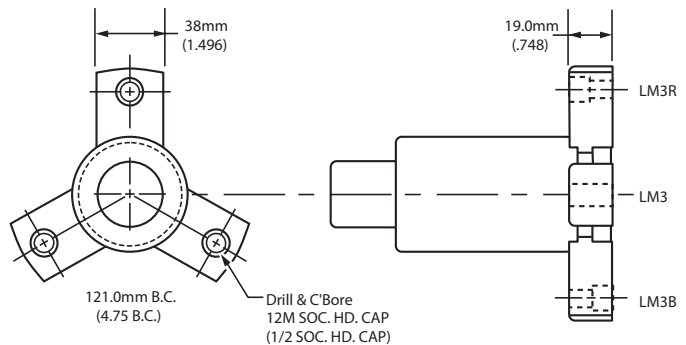
Specify "LM2" for English ("MLM2" for Metric)



Our lug mounts have been designed to allow our customers greater versatility and convenience. Our tongue and groove mounting system eliminates the need for welding. This allows lugs to be purchased when the order is placed, or at any time thereafter as changes occur in mounting requirements.

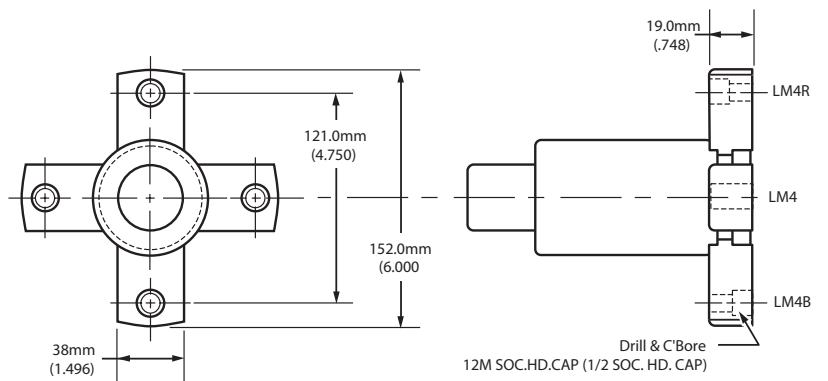
CH1500 & CS1500 3 LUG MOUNT STYLE

Specify "LM3" for English ("MLM3" for Metric)



CH1500 & CS1500 4 LUG MOUNT STYLE

Specify "LM4" for English ("MLM4" for Metric)



Please consult factory for special mount requirements